

NEW!

ALIMAK HEK LOW HEIGHT LANDING GATES

**For all available brands of construction hoists,
material hoists & transport platforms**



**CE MARKED &
EU TYPE APPROVED
IN COMPLIANCE
WITH EN 2006/42/EU**

Alimak Hek Original – For safety!

ALIMAK  **HEK**

ALIMAK HEK LOW HEIGHT LANDING GATES

Light weight and flexible modular gates, all components weigh less than 25 kg!

The new landing gates from Alimak Hek have been developed to withstand the tough operating conditions of the construction industry. They are robust and easy to install in a single step by one person from within the hoist car or from the landing. For hoists with vertical pipes, the gates can be installed before any landing platforms are integrated.

New modular system – Flexible & compatible

The new generation low height landing gates from Alimak Hek are developed according to the new machinery safety directive 2006/42/EU, which means increased safety at the landings, preventing unintentional opening of the gates and is equipped with kick plate to prevent items from falling.

The gates have a new patent pending interlocking device, which complies with the machinery directive, requiring that the gate may not be opened from the landing.

The flexible landing gate system is designed to fit all types of applications and is compatible with all brands of construction hoists, material hoists and transport platforms in the world market. Two types of landing gates are available, bi-folding and horizontally sliding gates. They can be used with or without hoist ramp/bridge.

The Alimak Hek landing gates are easily installed using, 48–76 mm tube couplers, distance tubes and support pipes for expander or Combisafe Multi clamp* on slab, facade scaffoldings or directly on vertical scaffold pipes with supporting landing beam.



1. The low height sliding gates and the bi-fold gates may be utilized from the left or right side on the same installation without the use of any additional parts. Quick coupling door hinge and simple locking for easy installation of gate module.

2. Can be bi-folded to save space

3. Patent pending interlocking post including electrical safety switch.

4. 150 mm high kick plate

5. Support pipe

Safety in focus

Alimak Hek landing gates, as are all Alimak Hek accessories, are carefully engineered and manufactured to perform reliably and safely. This is also emphasized through our company policy and the commitment of our warranty coverage.

According to the new machinery directive, which is valid from 2009-12-29, landing equipment for hoists and platforms is classified as safety components and shall be CE-marked/type approved. This means that landing gates shall be equipped with an interlocking device controlled from within the car or platform.

Benefits

- Flexible modular system
- Horizontally sliding or folding gates depending on space restriction or application
- Fits all brands of construction hoists, material hoists and transport platforms currently on the market; with or without ramp/bridge
- For installation against slab, balcony, vertical pipes, stair tower/landing bridge
- Fits all scaffolding systems currently on the market
- The sliding gate can be installed either on the inside or the outside of scaffold
- The low height sliding gates and the bi-fold gates maybe be utilized from the left or right side on the same installation without the use of any additional parts.
- Both sliding gates or bi-folding gates are available for use on different landing levels on the same project
- Patent pending interlocking post including electrical safety switch
- No need for sill on either sliding gate or bi-folding gate
- The bi-folding gate is interchangeably either as left-hand opening or right-hand opening. It only occupies one side at the landing for easy loading and unloading when space is a minimum/at narrow spaces.
- Quick and easy to install, all bolts are for 17 mm hex tools
- Easy to handle – no part weigh more than 22,5 kg
- During maintenance or repair, each module can be exchanged quickly and easily on site without effecting adjacent modules
- CE marked and EN type approved
- Comply with the new standard EN 12159/A1 as well as the new machinery directive 2006/42/EU



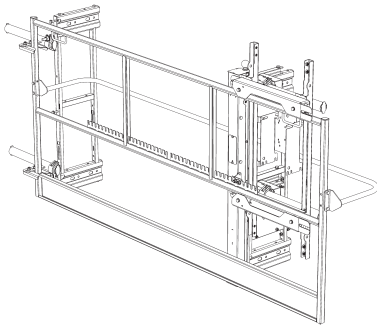
Roller assembly can be easily raised to simplify installation

Patent pending interlocking post including electrical safety switch and exchangeable locking mechanism for ramp/bridge or vertical gate. (The picture shows locking mechanism for ramp/bridge.)

LANDING GATES MODULAR SYSTEM

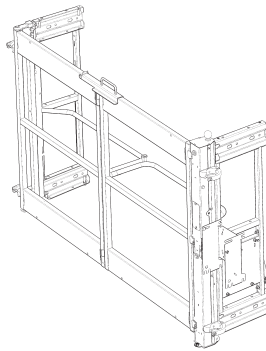
Sliding gate

Opening width: 0.5–1.7 m
 Weight (hoist with ramp): 53 kg
 Weight (hoist without ramp): 76 kg



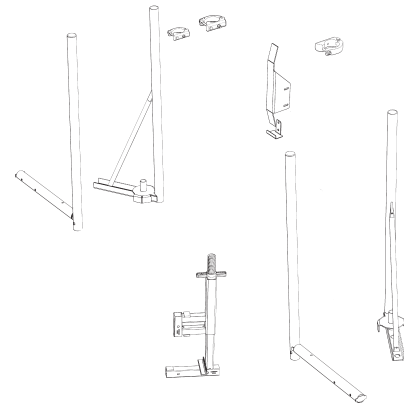
Bi-folding gate

Opening width: 1.6 m
 Opening depth: 1.6/0.95 m
 Weight (hoist with ramp): 35 kg
 Weight (hoist without ramp): 51 kg



Fixing parts

- 48–76 mm tube couplers
- Distance tubes
- Accessory parts
- Support pipes for expander or Multi clamp*



Type of hoist/platform:

		Sliding gate	Bi-folding gate
With ramp:	interlocking excl. electrics	9109 800-010	9109 380-010
With ramp:	interlocking with locking mechanism incl. el. switch	9109 800-910	9109 380-910
Without ramp:	interlocking with locking mechanism incl. el. switch	9109 800-950	9109 380-950

Fixing parts for:

Scaffolding:	length 1.8 m	9110 037-010	9110 170-000
	length 1.8 m–2.57 m	9110 037-010	9110 170-100
	length 1.8 m–4.0 m	9110 037-100	–
Stair tower:	length 3.05 m	9110 037-100	9110 170-100
Slab*		9110 037-500	9110 170-500
Vertical pipes		9110 037-800	9110 170-800

* Expander or Multi clamp (Multi clamp is a product from Combisafe International AB.)

Alimak Hek AB P.O. Box 720, SE-931 27 Skellefteå, Sweden
 Phone: +46 910 870 00 • Fax: +46 910 566 90 • E-mail: info.alimak@alimakhek.com

Alimak Hek B.V. P.O. Box 2, 5090 AA Middelbeers, The Netherlands
 Phone: +31 13 514 86 53 • Fax: +31 13 514 86 30 • E-mail: info.hek@alimakhek.com

www.alimakhek.com

Alimak Hek AB is ISO 9001 and 14001 certified.
 Alimak Hek B.V. is ISO 9001 certified.



Pictures are illustrative only and do not necessarily show the configuration of products on the market at a given point in time. Products must be used in conformity with safe practice and applicable statutes, regulations, codes and ordinances. Specifications of products and equipment shown herein are subject to change without notice. Copyright © 2009 Alimak Hek Group AB. All rights reserved. Alimak Hek, Alimak and Scando are registered trademarks of Alimak Hek Group AB.